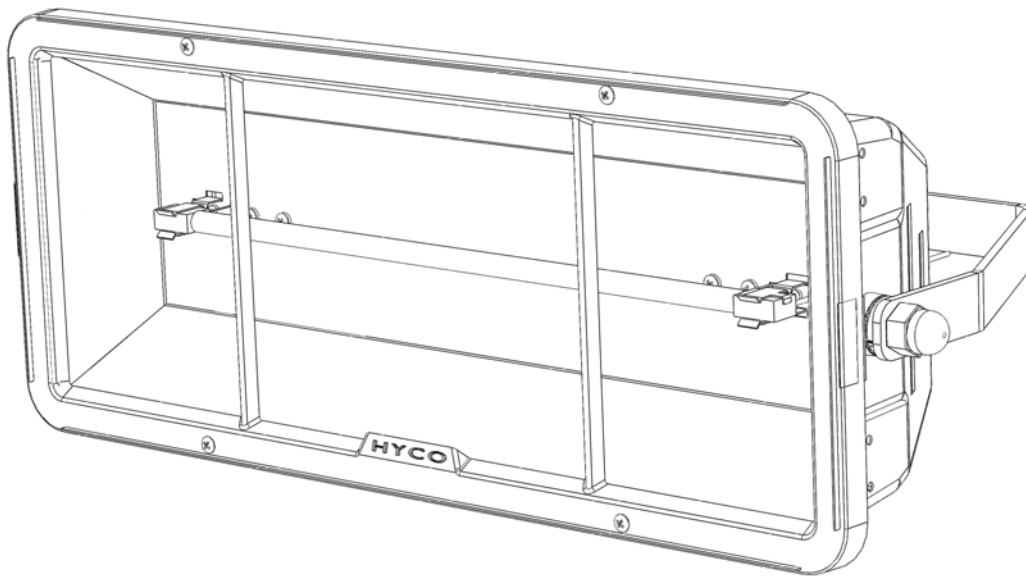


HYCO
Manufacturing Ltd

SUN PRINCE QUARTZ HEATER



Instruction Manual
For
SP1000H, SP1500H, SP2000H SP3000H,
SP4000H, SP4500H

CE

Version 5.1, 2011

HYCO SUN PRINCE QUARTZ HEATER SP1000H, SP1500H, SP2000H, SP3000H, SP4000H, SP4500H
 Thank you for purchasing the Hyco Sun Prince Quartz Heater. This heater uses radiant heat to warm objects and people directly, making it ideal for draughty, hard to heat situations, such as workshops and warehouses. Please read and understand these instructions before commencing installation and leave them with the user when installation is complete.

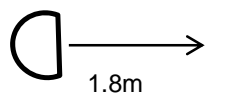
1. SAFETY

WARNING:

- The electrical Installation must be carried out by a qualified electrician in accordance with the current edition of the IEE Wiring Regulations.
- An RCD circuit breaker is strongly recommended.
- This heater is not equipped with a device to control the room temperature. Do not use this heater in a small room when it is occupied by persons not capable of leaving the room on their own, unless under constant supervision.
- Only connect the heater to a single phase supply with a mains voltage, as specified on the rating plate.
- The heater must be positioned at a minimum height of 1.8m.
- The heater is not suitable for mounting on flammable surfaces.
- The heater must be mounted onto a solid surface
- Do not mount the heater directly above a socket outlet.
- The heater must not be used in an area subject to flammable vapours such as paint, solvent or petrol.
- If the cable of this appliance (not supplied) is damaged, discontinue use of the product and arrange for it to be replaced by a competent person.
- Do not let animals, children, disabled persons, or persons with reduced physical, sensory or mental capabilities touch, play, install or reposition the heater, unless under supervision. Please note that the heater gets very hot during operation.
- Take particular care when positioning the Sun Prince near moveable items such as curtains or doors, make sure that a 1.8m clearance is achieved with the movable item in its closest position.
- Do not use the heater without the safety guard fitted or if the safety guard is damaged.
- The Sun Prince Heater is not suitable for outdoor use or use in damp conditions.
- Avoid contact with water.
- The Sun Prince is not suitable to be used in locations where moving objects may collide with the heater, for example in sports halls where balls may collide with the lamp.
- Do not use in ambient temperatures exceeding 25⁰C.

FIRE RISK

Keep combustible materials such as furniture, paper, clothes and curtains at least 1.8m (6ft) from the front of the heater and away from the sides and rear.



2. SPECIFICATIONS

Power Supply: 230Vac Frequency: 50 Hz

MODEL	POWER	SPARE LAMP	DIMENSION mm	WEIGHT Kg	CHAIN RATING Kg
SP1000H	1.0kW	L1000V	474x198x141	2.5	15
SP1500H	1.5kW	L1500V	474x198x141	2.5	15
SP2000H	2.0kW	L2000V	474x198x141	2.5	15
SP3000H	3.0kW	2xL1500V	474x398x141	5.0	25
SP4000H	4.0kW	2xL2000V	474x398x141	5.0	25
SP4500H	4.5kW	3xL1500V	474x598x141	7.5	40

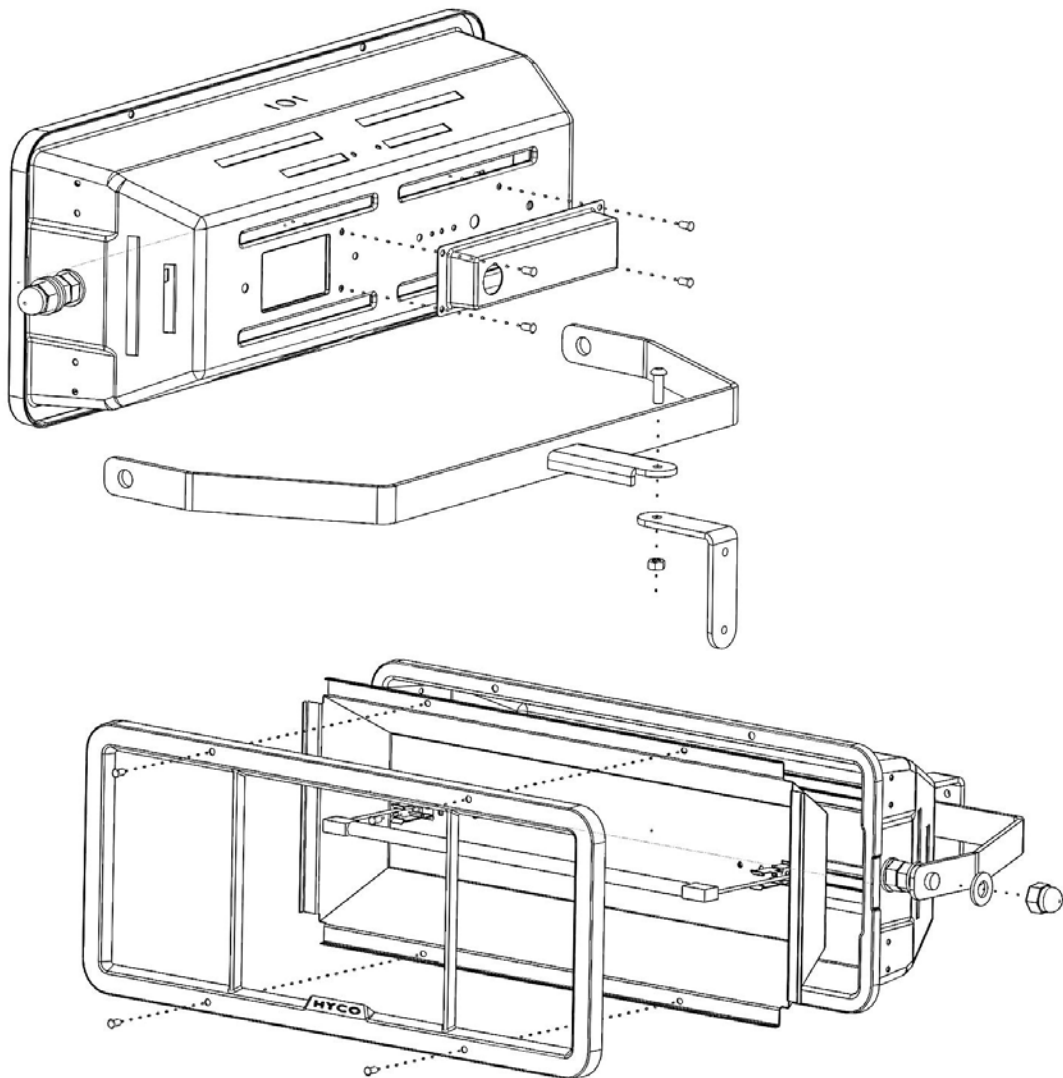
3. INSTALLATION

When choosing the location for mounting the Sun Prince, ensure that you have followed the safety instructions and recommendations. All models can be mounted on the wall bracket provided. Units SP3000H, SP4000H, SP4500H, can also be ceiling mounted using chains and eye bolts (not supplied) See diagrams and tables in the following section on mounting each model.

Caution!

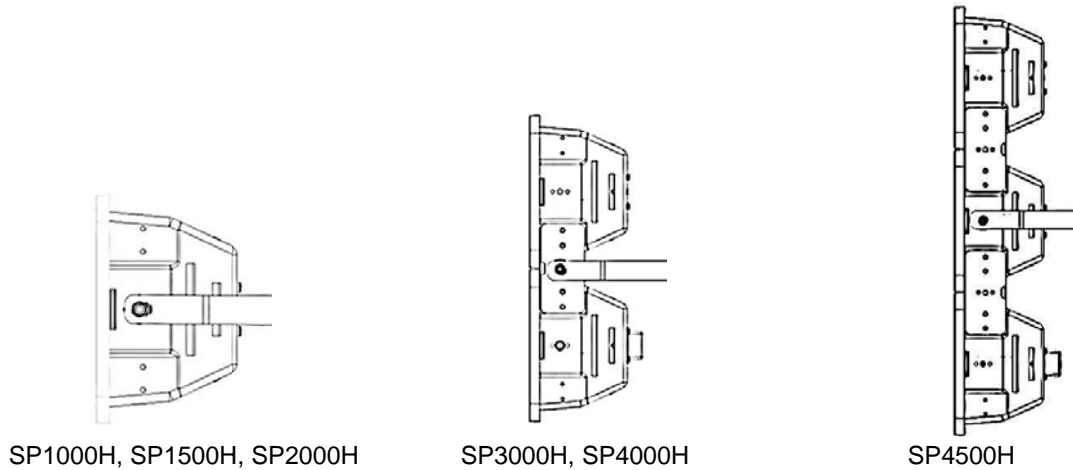
- The heater must be mounted with the lamps in the horizontal position to avoid premature failure of the lamp.
- The heater should be mounted following the minimum clearance distances and angle as shown in the mounting guide.
- The heater can be ceiling mounted but the minimum angle of 20° to the horizontal must be maintained.
- The bracket supplied is designed to ensure the correct mounting angle is maintained. Do not attempt to modify the bracket in any way as incorrect mounting may cause the unit to overheat.

Fig 1. Assembly diagrams



3.1. INSTALLATION – WALL MOUNTING

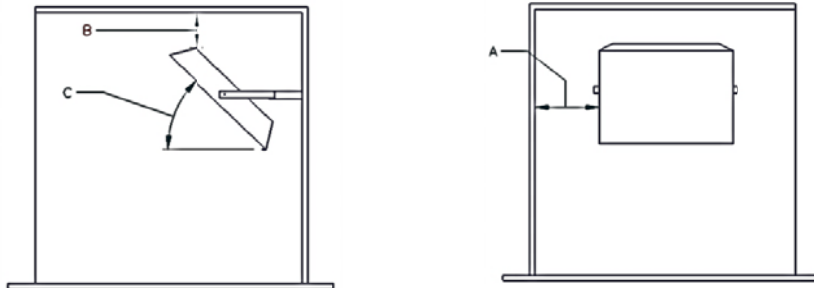
Fig 2 Wall bracket mount to main body of the heater



Caution!

When mounting the Sun Prince using the wall bracket provided, the minimum distances and angle must be observed.

Model Number	Lamp Power (kW)	Distance A To wall (mm)	Distance B To ceiling (mm)	Angle C (°)
SP1000H	1	700	500	20 - 90
SP1500H	1.5	700	500	
SP2000H	2	700	500	
SP3000H	1.5 (x2)	700	500	
SP4000H	2 (x2)	700	500	
SP4500H	1.5 (X3)	700	500	



Once the position of the Sun Prince has been decided, the unit can be mounted (see Fig 1).

- The “L” piece of the bracket should be firmly fixed in position using screws and wall plugs.
- Attach the main body holder part of the bracket to the piece attached to the wall using the nut and bolt provided.
- Position the Sun Prince mounting bolts that protrude from each side of the unit through the holes in the bracket
- Place the washers on the threads and tighten the cap nuts with the Sun Prince at desired orientation.

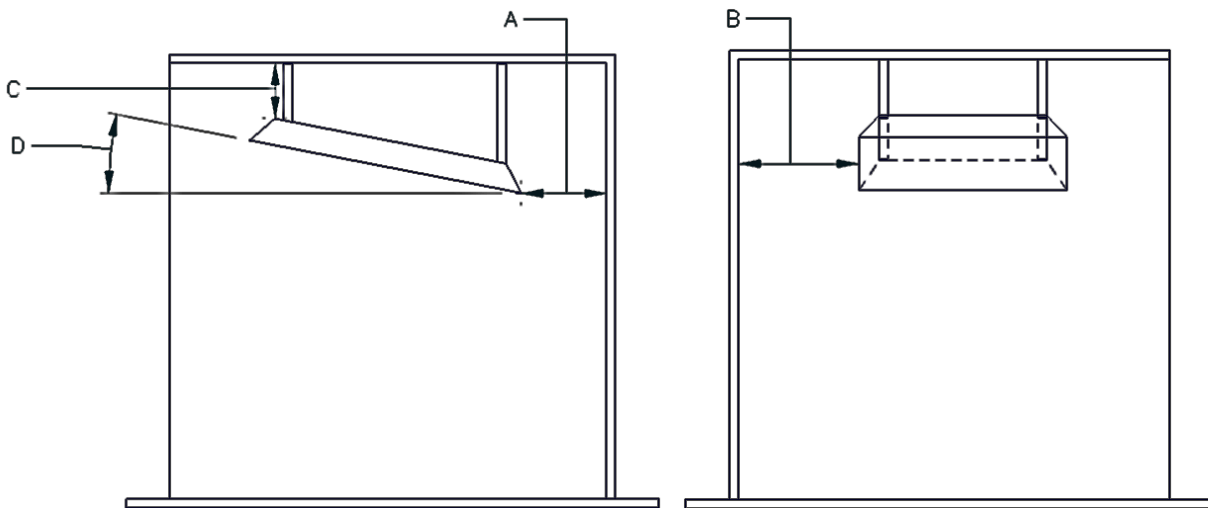
3.2. INSTALLATION – CEILING MOUNTING

Caution!

Single units (SP1000H,SP1500H,SP2000H) are not suitable for ceiling mounting. Use only the wall bracket provided.

When ceiling mounting the unit, the minimum distances below must be observed.

Model Number	Distance A To wall (mm)	Distance B To wall (mm)	Distance C To ceiling (mm)	Angle D (Min – Max °)
SP1000H	500	700	500	20 - 45
SP1500H	500	700	500	20 - 45
SP2000H	500	700	500	20 - 45
SP3000H	500	700	500	20 - 45
SP4000H	500	700	500	20 - 45
SP4500H	500	700	500	20 - 45



Caution!

When mounting the unit ensure the mounting surface is capable of safely holding the weight of the unit plus the chains and always use chains suitable for the unit being fitted.

The chains and eye bolts used to mount the unit must be rated to the value shown in the table in Section 2. Specifications

4. ELECTRICAL INSTALLATION

- The electrical connection should be made to the fixed wiring of the property using appropriately rated cable (**The supply cable must have a minimum temperature rating of 90°C.**) and a double pole isolator switch should be used. Electrical Installation should be carried out by a qualified electrician in accordance with the current edition of the IEE Wiring Regulations.
- Please note that an inrush current of several times the steady state current will flow for a few hundredths of a second after first switching on. Therefore, a slow blow circuit breaker should be used.
- PIR devices or other controllers may be used to control this unit provided all devices are rated to the appropriate electrical loading with due allowance for in-rush current. (Hyco Sun Prince controllers are available and are fitted with a “soft start” feature that negates the need for a slow blow circuit breaker.)
- This unit **MUST** be earthed.

4.1 CABLE FITTING (see Fig 1)

- Remove the back box to gain access to the terminal block.
- Fit the cable gland into the back box.
- Feed the cable through the cable gland and secure in the correct position.
- Connect the cable to the terminal block ensuring the wires are in the correct terminals.
- Ensure the wires are tight and there are no loose or frayed wires.
- Refit back plate

CAUTION!

Do not attempt to touch or adjust the heater until it has cooled down and has been isolated from the power supply.

5. CLEANING AND MAINTENANCE

- Before cleaning, ensure the heater is disconnected from the power and that it has cooled completely
- Wipe the exterior of the heater with a damp cloth
- Do not use abrasives or chemical cleaners to clean the heater
- If the reflector requires cleaning, use a soft, dry cloth taking care not to touch the quartz lamp with bare hands

5.1. LAMP REPLACEMENT

When fitting or replacing the lamp:

- Check it is the correct lamp against the specification.
- Do not touch the lamp with bare hands. Always use a soft cloth.
- Do not touch the Sun Prince until the unit has cooled down and has been isolated from the power supply.
- Remove the four screws holding the lamp guard in place, (see Fig1).
- Remove the guard from the main body.
- Remove the reflector.
- Disconnect the lamp wires from the terminal block that connect to the live (L) and neutral (N) terminals on the inside of the main body.
- Remove the lamp from the reflector and dispose of safely.
- Feed the lamp wires through the holes in the reflector.
- Connect the lamp wires to the terminals marked L and N.
- Clip the lamp into the holders in the reflector.
- Replace the reflector and fire guard.
- Replace the four retaining screws.

6. GUARANTEE AND SERVICE POLICY

The Hyco Sun Prince Quartz Heater is supplied with a standard 12 month replacement warranty (excluding lamps) that protects against any manufacturing defects for up to 1 year from the original purchase date. In the event of a product failure please contact Hyco on 01924 225200. Incidental or consequential damages are excluded from this warranty.