

HYCO
Manufacturing Ltd

Downflow

Fan Heater

Model DF20

Instruction Manual

Version 1.0 November 2009

HYCO DOWNFLOW FAN HEATER

MODEL DF20

I. INTRODUCTION

Thank you for purchasing the Hyco Downflow Fan Heater. The Downflow heater has two selectable settings. Setting I gives a fixed 1kw output and setting II also gives a fixed 1kw output plus a further 1kw which is thermostatically controlled. Please read and understand these instructions before commencing installation, and leave them with the user when installation is complete.

2. SAFETY



THE ELECTRICAL INSTALLATION MUST BE CARRIED OUT BY A QUALIFIED ELECTRICIAN IN ACCORDANCE WITH THE CURRENT EDITION OF THE I.EE WIRING REGULATIONS.



SWITCH OFF THE MAINS BEFORE COMMENCING INSTALLATION.



ELECTRICAL CONNECTION MUST BE MADE TO THE FIXED WIRING OF THE PROPERTY BY MEANS OF A CONNECTION BOX. THE INSTALLATION MUST BE FITTED WITH A DOUBLE POLE ISOLATING SWITCH, WITH A BREAK CONTACT DISTANCE OF AT LEAST 3mm.



ONLY CONNECT THE HEATER TO A SINGLE PHASE SUPPLY WITH A MAINS VOLTAGE AS SPECIFIED ON THE RATING PLATE.



DO NOT USE THIS HEATER WITH A TIMER OR ANY OTHER DEVICE THAT SWITCHES THE HEATER ON AUTOMATICALLY, SINCE A FIRE RISK EXISTS IF HEATER IS COVERED OR POSITIONED INCORRECTLY.



THE HEATER MUST NOT BE LOCATED IMMEDIATELY BELOW A SOCKET OUTLET.



IF THE CORD OF THIS APPLIANCE IS DAMAGED, DISCONTINUE USE OF THIS PRODUCT AND CONTACT THE MANUFACTURER FOR FURTHER INSTRUCTIONS.



DO NOT CARRY THE APPLIANCE BY HOLDING THE POWER CORD.

2. SAFETY (continued)



ALWAYS SWITCH OFF THE APPLIANCE WHEN NOT IN USE.



DO NOT LET THE POWER CORD HANG OVER THE APPLIANCE.



DO NOT LET ANIMALS OR CHILDREN TOUCH OR PLAY WITH THE HEATER. PLEASE NOTE THAT THE HOT AIR OUTLET GETS VERY HOT DURING OPERATION.



DO NOT LET ANIMALS OR CHILDREN TOUCH OR PLAY WITH THE HEATER. PLEASE NOTE THAT THE HOT AIR OUTLET GETS VERY HOT DURING OPERATION.



THE DOWNFLOW HEATER IS NOT SUITABLE FOR OUTDOOR USE.



THE MOUNTING POSITION OF THE HEATER SHOULD ALLOW FREE MOVEMENT OF AIR AROUND THE HEATER. DO NOT COVER THE HEATER AS THIS MAY CAUSE OVERHEATING.



THE HEATER MUST BE INSTALLED SO THAT SWITCHES AND OTHER CONTROLS CANNOT BE TOUCHED BY A PERSON IN THE BATH OR SHOWER.



THE UNIT SHOULD BE MOUNTED AT LEAST 1m AWAY FROM ANY COMBUSTIBLE MATERIALS SUCH AS FURNITURE, CURTAINS, BEDDING ETC.



DO NOT USE THE APPLIANCE IN ROOMS LESS THAN 4m²



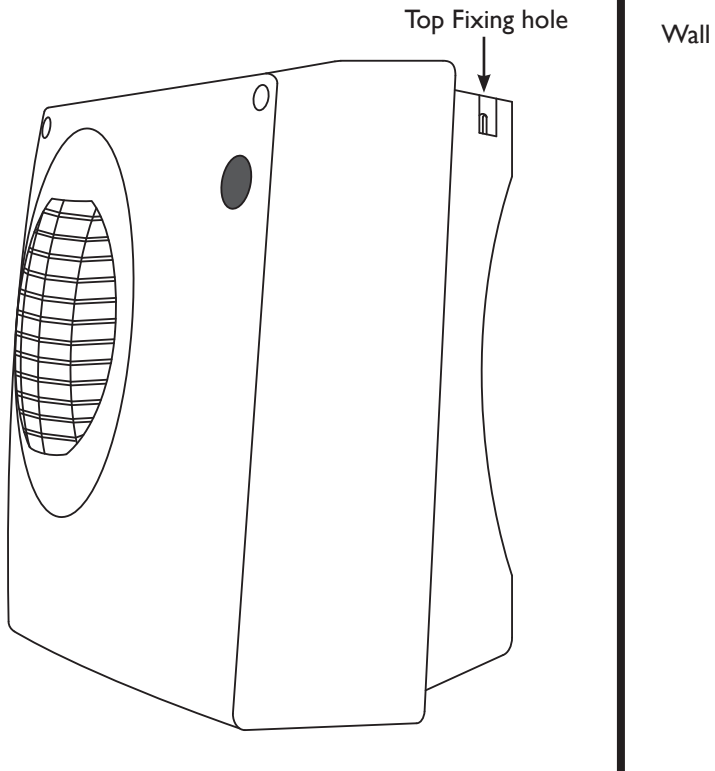
THE UNIT MUST NOT BE USED UNLESS THE COVER IS CORRECTLY FITTED.

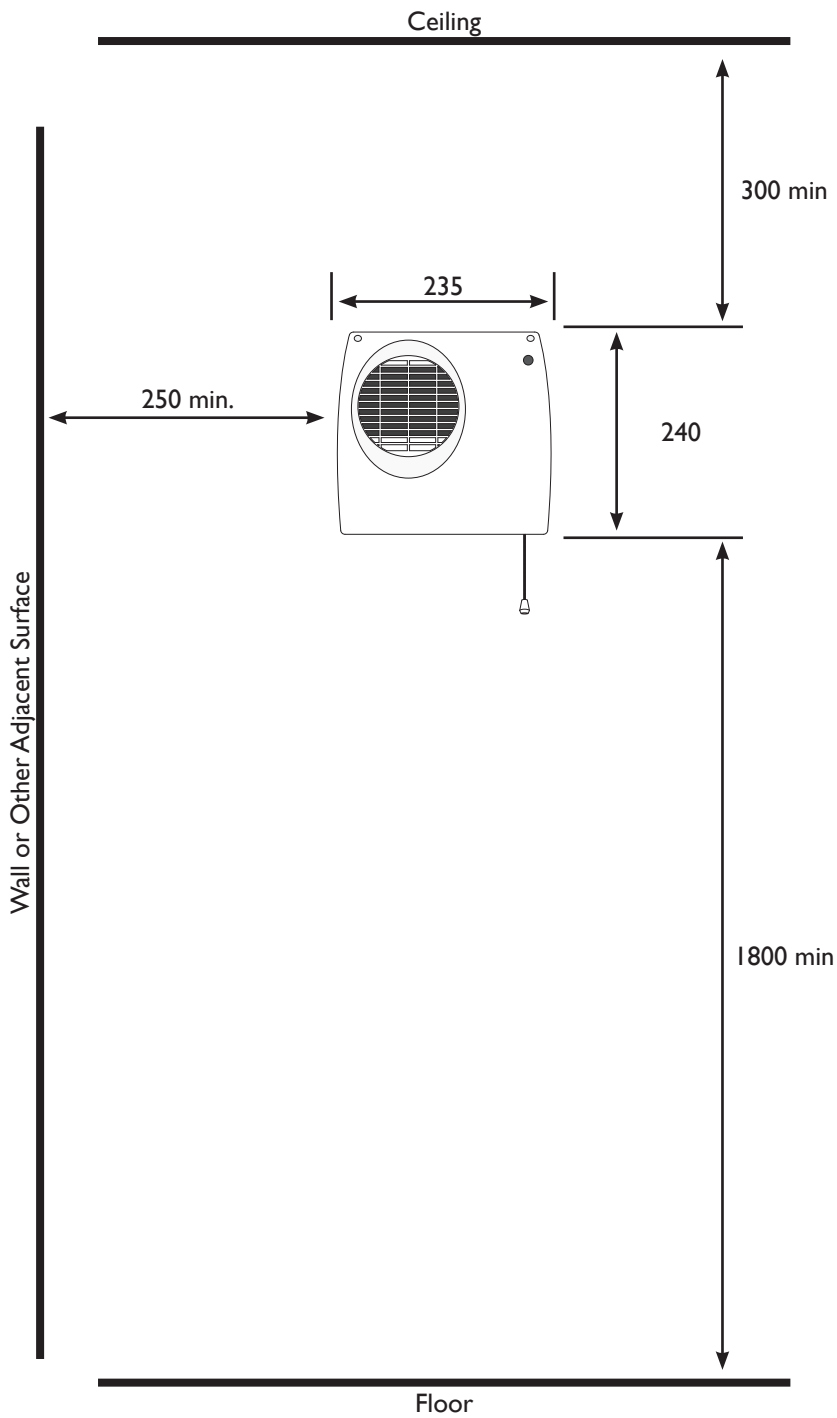


KEEP THE FAN HEATER CLEAN. SEE THE CLEANING AND MAINTENANCE SECTION.

3. WALL MOUNTING

- The Downflow fan heater is to be wall mounted at a minimum height of 1.8m in the upright position with the warm air vent facing downwards.
- Loosen the two screws at the top of the front of the heater and lift off the front cover
- Mark the position of the top two fixing holes ensuring they are level
- Drill holes using a 5mm drill bit and use the plugs and screws provided leaving approximately 3mm of the screw protruding
- Hang the heater on the screws
- Mark the position of the third fixing hole using the heater as a template
- Remove the heater, drill the hole and insert the plastic plug
- Replace the heater and tighten the top two screws
- Secure the heater using the third fixing





4. ELECTRICAL INSTALLATION



THE INSTALLATION, ELECTRICAL CONNECTION AND FIRST OPERATION OF THIS APPLIANCE SHOULD BE CARRIED OUT BY A QUALIFIED INSTALLER.

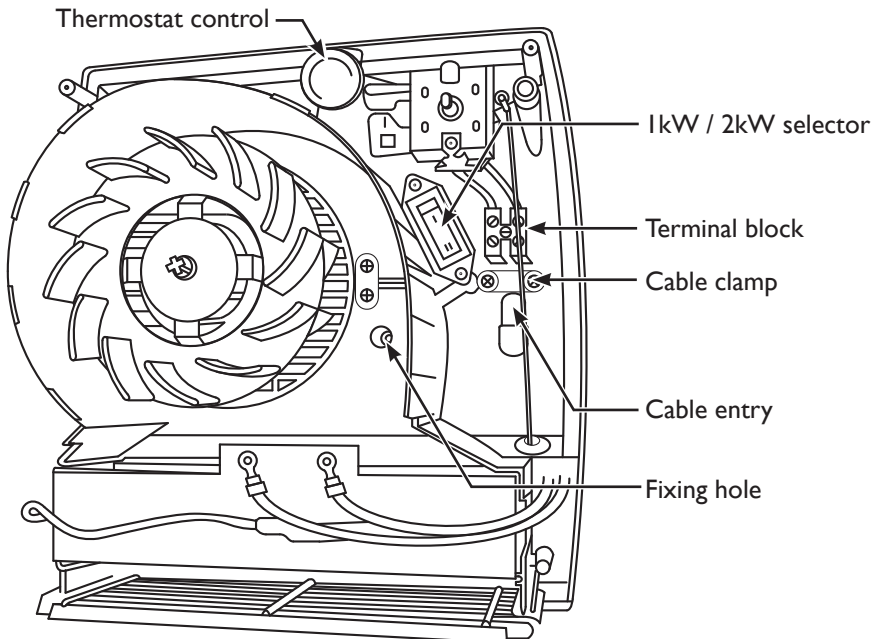
- Electrical connection must be made to the fixed wiring of the property using appropriately rated cable by means of a connection box and protected by a 13A fuse.
- Remove the cable clamp from inside the heater and thread the supply cable through the hole in the case.
- Connect the cable to the supply terminals ensuring that the live connection is made to the live terminal (red wire) and the Neutral connection is made to the neutral terminal (blue wire) and secure under the cable clamp.
- Select the desired mode of operation using the switch.

I = 1kw fixed

II = Max 2kw - Steps down to 1Kw on thermostat control

NOTE: When used in small rooms of less than 10m³ the 1kw output should be selected to avoid nuisance tripping of the cut-out

- Set the thermostat to the mid position (recommended setting)
- Refit front cover and secure
- Switch power on



5. OPERATION

Pull the cord to turn on/off the heater The unit has a thermal cut out that will operate in the event of overheating. The cut out will automatically reset once the unit has cooled down. In the event of the cut-out operating we advise that you disconnect from power supply and leave to cool for a few minutes before switching back on.

6. ADJUSTMENT

- Switch off the mains power to the unit
- Remove the front cover to access the internals
- Select the desired mode of operation using the switch
- Turn the thermostat control clockwise to increase room temperature and anti-clockwise to decrease
- Refit front cover and secure using the two screws

7. CLEANING AND MAINTENANCE

- Before cleaning, ensure the heater is unplugged and that it has cooled completely
- Wipe the exterior of the heater with a soft dry cloth
- Never use any chemical or abrasive cleaners
- Use a vacuum cleaner to avoid a build up of fluff or dust in the heater

8. SPECIFICATIONS

SUPPLY	230V ~ 50Hz
POWER	1000W/2000W
IP RATING	IP21
DIMENSIONS (H x W x D)	240mm x 235mm x 125mm
OVERHEAT PROTECTION	Auto reset thermal cut-out
PROTECTION	Double Insulated

8. GUARANTEE AND SERVICE POLICY

This product is guaranteed against faulty materials and manufacture for a period of one year from the date of purchase. Hyco will in its sole discretion replace, repair or refund any faulty unit. Incorrect installation and failure to follow correct operating instructions are excluded. Consequential costs such as labour charges or damage to surroundings are expressly excluded.

H Y C O
Manufacturing Ltd

Hyco Manufacturing Ltd
California Drive
Whitwood
Castleford
West Yorkshire
WF10 5QH

Tel: 01977 517555 Fax: 01977 517666

Web: www.hyco.co.uk

E-mail: sales@hyco.co.uk