



# Hand Dryers

*CYC26F/CYC26CSF*

**Push-button operation**

# Hand Dryer Operating Instructions and Parts Manual (Push-button)

CYC26F/CYC26CSF

## Description: CYC26F CYC26CSF

Push-button operation hand dryer.

Casing: CYC26F-Steel cover; 2.0 mm thick, porcelain enameled coating.

CYC264CSF-Steel cover; 2.0 mm thick, Satin chrome.

Brush motor : 200W, 5500 R.P.M.

Designed with 105°C (221°F) thermostat.

Heater assembly : Designed with 65°C (149°F) thermostat.

Dryer shall deliver 345 m<sup>3</sup>/h (202 CFM).

Air speed: 28 m/s (101km/h).

Sound level : 70±3 db.

Approximately 20-25 seconds drying time.

Adjustable timer control range from 20 to 55 seconds.

2 vandal-proof lock screws and key wrench.

Drip proof : IPX1

Nozzle : Nozzle and push-button in chrome plated zinc.

Weight: CYC26F/CYC26CSF-7.0kgs (15.4 lbs)

unpacked ; 7.5kgs (16.5 lbs) packed.



CYC26F



CYC26CSF

Certification:

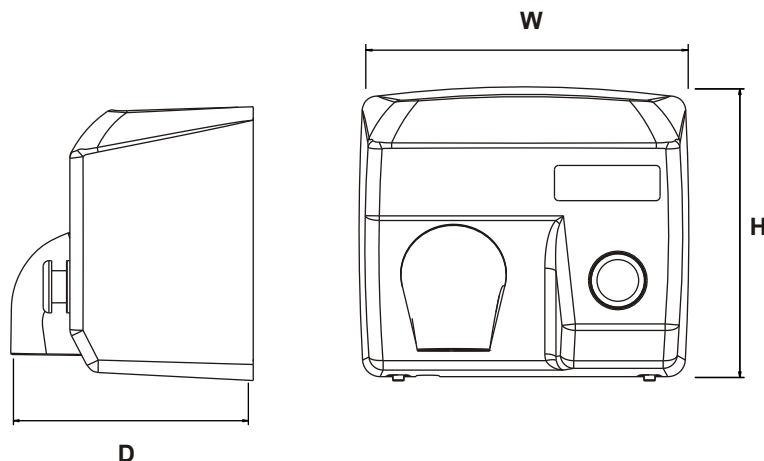


5G68

LISTED  
E185174  
HAND DRYER

## Specifications and Dimensions

Model	Volts	Watts	Amps	Housing Dimensions: mm (in)		
				L	W	H
CYC26F	230/240Vac	2.4/2.6kw	10.4/10.8A	284 mm(11 3/16")	248 mm(9 3/4")	202 mm(8")
CYC26CSF	230/240Vac	2.4/2.6kw	10.4/10.8A	284 mm(11 3/16")	248 mm(9 3/4")	202 mm(8")



## General safety information

CYC26F/CYC26CSF

**▲ WARNING** Disconnect power before installation or servicing.

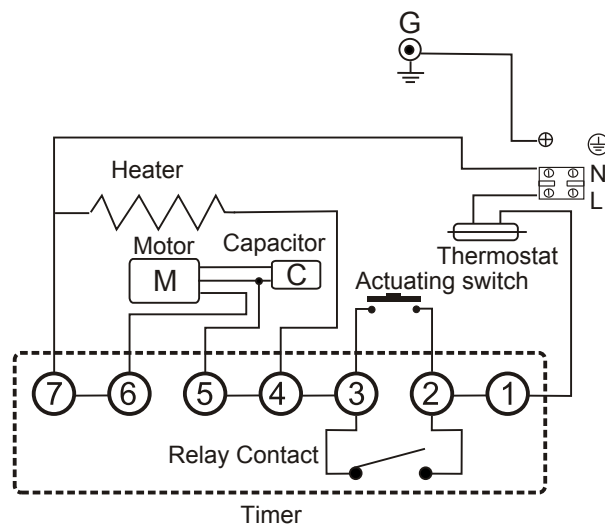
**▲ WARNING** This product intended for installation by a qualified service person. Use AWG NO. 14 solid conductor for wiring.

**▲ WARNING** All units must be supplied with a 3-wire service. The ground wire must be connected to the dryer's backplate.

**▲ DANGER** Failure to properly ground unit could result in severe electrical shock and/or death.

NOTE: Do not install dryer over washbasin.

## Wiring Diagrams



## Installation

1. Fix the position card on the wall.  
Suitable height for hole "D" is 130 cm (50") from ground.
2. Drill 4 holes  
(A. B. C. D. 8 mm (5/16") diameter:35 mm (3/8") depth.)
3. Take off the mounting instruction sheet.  
Hammer dowels into 4 holes.
4. Remove the housing from the base plate; fix the base plate firmly on to the wall.
5. Connections:
  - A. Connect the live wire (colored red or brown) to the terminal block marked "L".
  - B. Connect the neutral wire (colored black or blue) to the terminal block marked "N".
  - C. Connect the ground wire (colored green and yellow) to the green screw marked "⊕".
6. Attach housing back to base plate.

## Operation

Shake excess water from hands.  
 Push button to start operation.  
 Place hands under dryer.  
 Rub hands lightly & rapidly.  
 Dryer stops automatically.

## Maintenance

Easy to maintain. If the surface is dirty or dusty just wipe to clean.

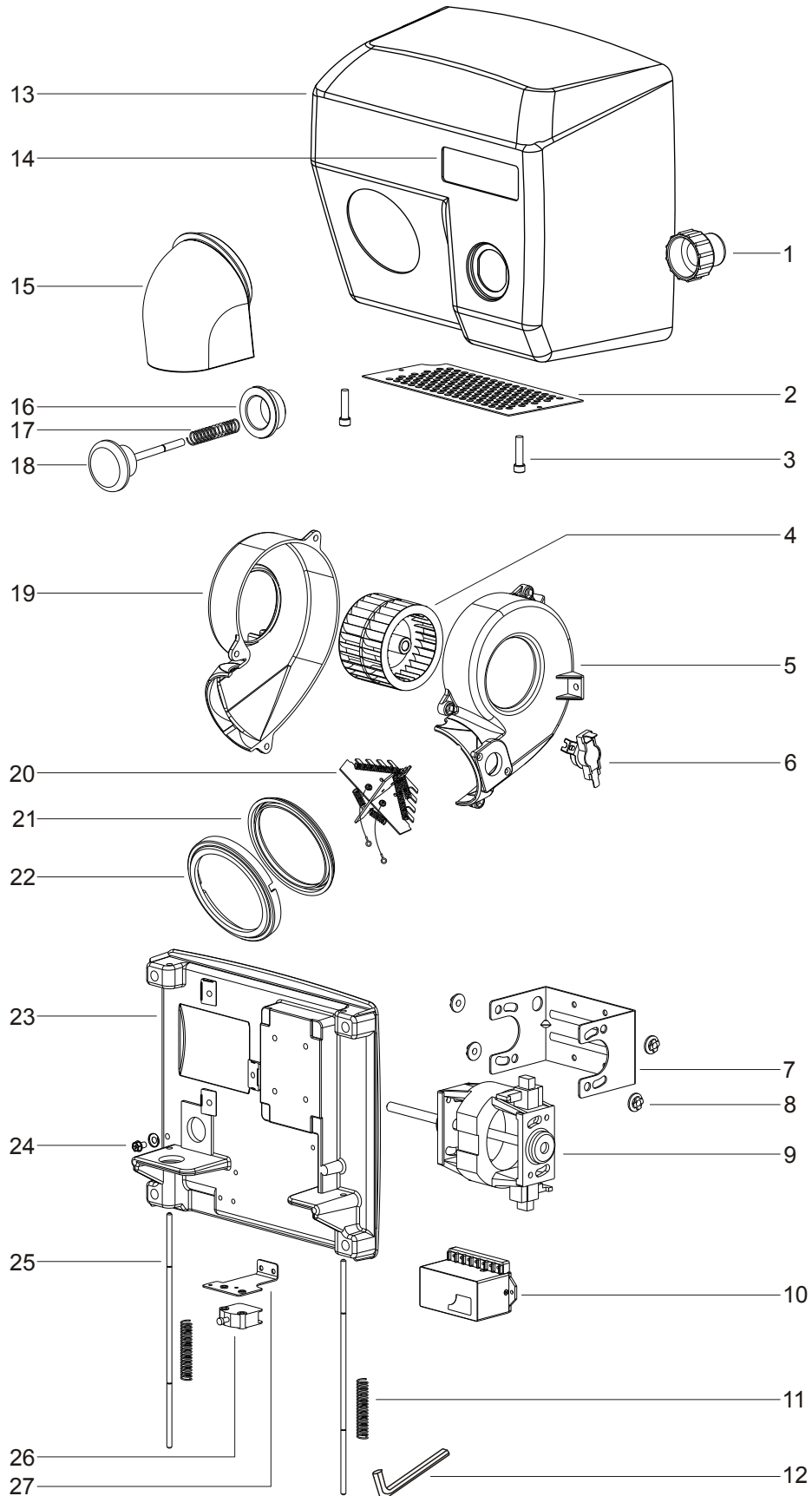
## Trouble shooting Chart

Symptom	Corrective Action
Blower motor stops running	Turn off power to the dryer at electrical panel. Remove cover. Check all wiring connections from terminal board to the motor. Check blower wheel and spin to make sure it rotates freely: Look for objects blocking the free movement. Replace cover and turn on power to the hand dryer. If motor fails to start, have a qualified electrician check the Push-On-Switch, thermostat, motor and capacitor for proper operation. Replace if necessary.
Dryer blows cold air	Turn off power to the dryer at the electrical panel. Remove cover. Check all wiring connections to make sure all terminals are firmly mounted in place and the wire insulation is in good condition. Have a qualified electrician check the thermal cut off and heating element. Replace cover, turn on power to the hand dryer. If dryer continues to blow cold air, replace defective thermal cut off and/or heating element.
Dryer will not shut off or will not run for a complete cycle	Replace timer assembly

## Warranty

### LIMITED TWO-YEAR WARRANTY

Our standard warranty provides for the repair or (at our discretion) replacement of the product if it fails within two years. In the event of a product failure please contact Hyco on 01977 517555. Incidental or consequential damages are excluded from this warranty.



**Repair parts list****Part number for**

Reference Number	Description	CYC26F/CYC26CSF	
		Part number for	Qty.
1	Actuating button holder B	A17-0001	1
2	Air inlet guard	C01-006	1
3	Fix screw	D16-0001	2
4	Fan blower	C16-0001	1
5	Fan enclosure B	A26-0002	1
6	Thermostat	E66-0001	1
7	Motor mounting bracket	C16-0002	1
8	Motor rubber	G16-0002	4
9	Motor	E16-0002	1
10	Timer assembly	TI02	1
11	Fix shaft spring	R16-0001	2
12	L Key	D16-0002	1
13	Enclosure	C16-0005/6	1
14	Plate	K17-0001	1
15	Air outlet	B16-0002	1
16	Actuating button holder A	B17-0002	1
17	Actuating button spring	R17-0001	1
18	Actuating button	E17-0001	1
19	Fan enclosure A	A26-0001	1
20	Heater assembly	T26-0002	1
21	Air outlet rubber ring	G16-0001	1
22	Air outlet holder	B16-0004	1
23	Base plate	B16-0001	1
24	Grounding screw	D01-002	1
25	Fix shaft	D16-0003	2
26	Actuating switch	E03-007	1
27	Switch mounting bracket	C17-0001	1