

Mounting Instructions

⊕ A

This product intended for installation by a qualified service person using 1.2 mm² solid conductor for wiring.

B ⊕

1.

1. Fix the mounting instruction sheet on the wall. Suitable height for hole "C" is 50" from ground.



2.

2. Drill 4 holes (A. B. C. D. 3" diameter: 1.4" depth.)



3.

3. Take off the mounting instruction sheet. Hammer dowels into 4 holes.



6.

6. Attach housing back to base plate at an angle of 10 degrees then secure properly.



5.

5. Connections:
 A. Connect the live wire (colored red or brown) to the terminal block marked "L".
 B. Connect the neutral wire (colored black or blue) to the terminal block marked "N".
 C. Connect the ground wire (colored green and yellow) to the terminal block marked "⊕".



4.

4. Remove the housing from the base plate; put the power cord at least 2 1/4" through the hole of the base plate then secure the base plate onto the wall.

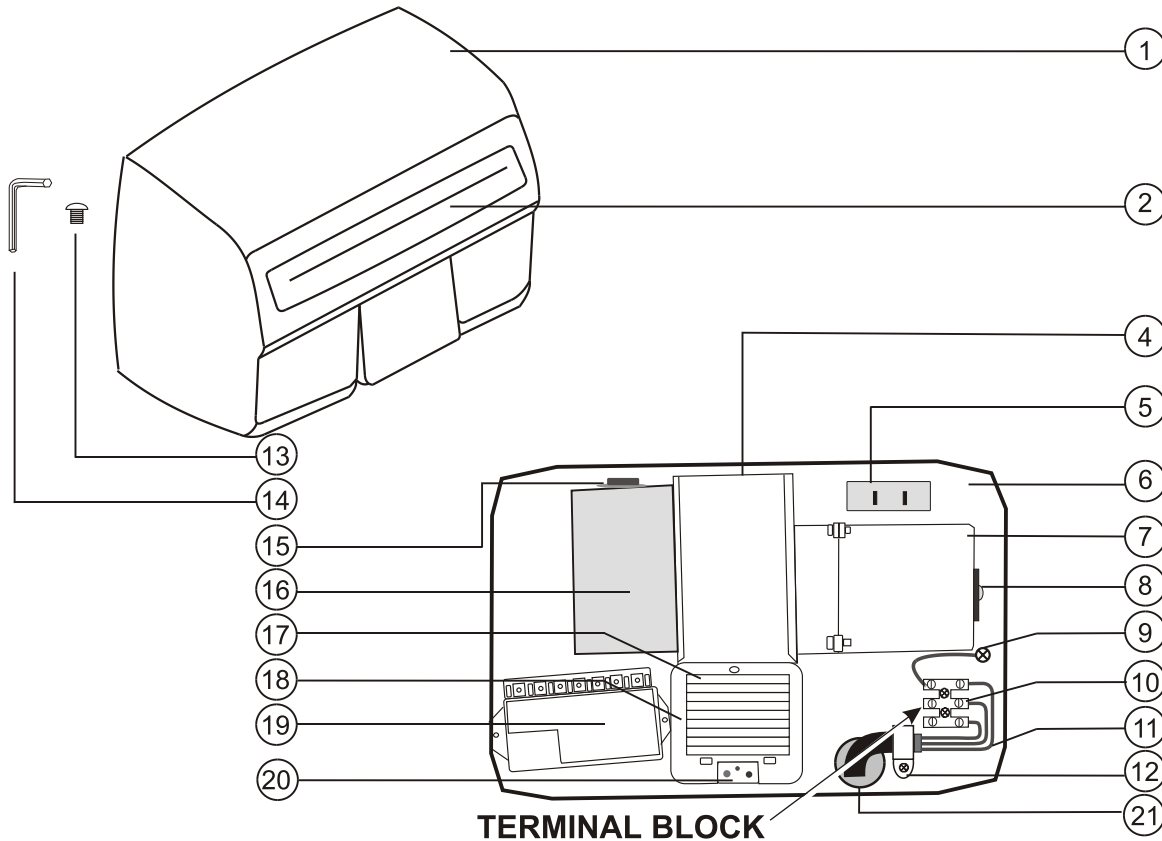
130 cm FROM THE GROUND IS SUITABLE



⊕ D

⊕ C

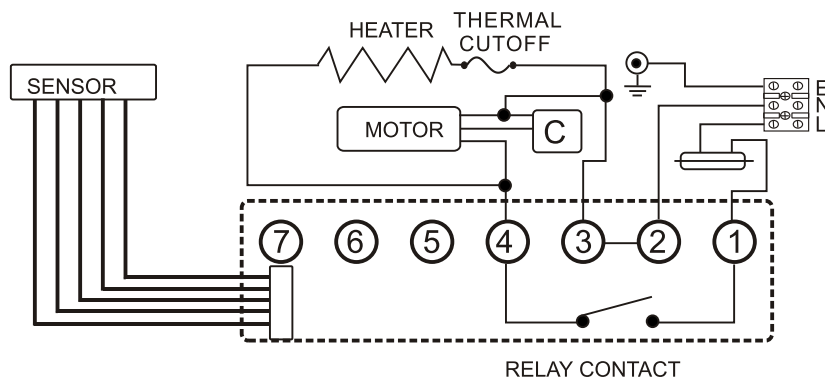
CONNECTION DIAGRAM



PARTS LIST - AUTOMATIC

NO	DESCRIPTION	MATERIAL	Q'TY
1	ENCLOSURE	PAINTED ALUMINUM	1
2	PLATE	PLASTICS	1
3	----	----	----
4	FAN ENCLOSURE	PLATED STEEL	1
5	MOTOR CAPACITOR	—	1
6	BASE ENCLOSURE	PLATED STEEL	1
7	MOTOR	—	1 SET
8	MOTOR MOUNTING BRACKET	PLATED STEEL	1
9	GROUND WASHER	COPPER	1
10	POWER TERMINAL BLOCK	PLASTICS	1
11	POWER CORD	—	—
12	INSULATING BARRIER	PLASTICS	1
13	FIXING SCREW FOR CASING	STAINLESS STEEL	2
14	ALLEN KEY	PLATED STEEL	1
15	THERMOSTAT	—	1
16	HEATING ELEMENT ASSEMBLY	—	1 SET
17	FAN BLOWER	PLATED STEEL	1
18	AIR OUTLET GUARD	PAINTED STEEL	1
19	TIMER ASSEMBLY	—	1 SET
20	SENSOR ASSEMBLY	—	1 SET
21	BUSHING	PLASTICS	1

CONSTRUCTION DIAGRAM



ACCESSORIES

NAME	Q' TY
DOWEL	4
ALLEN KEY	1

CONNECTION INSTRUCTIONS

1. SECURE THE BASE PLATE TO THE WALL USING THE TEMPLATE OVERLEAF.
2. FIX THE CONDUIT IN PLACE BY A SUITABLE 1/2 INCH TRADE CONDUIT FITTING.
3. CONNECTIONS:
 - A. CONNECT THE LIVE WIRE COLOURED RED (OR BROWN) TO THE TERMINAL BLOCK WHERE MARKED "L".
 - B. CONNECT THE NEUTRAL WIRE COLOURED BLACK (OR BLUE) TO THE TERMINAL BLOCK WHERE MARKED "N".
 - C. CONNECT THE EARTH WIRE COLOURED GREEN AND YELLOW (OR GREEN), TO THE TERMINAL BLOCK WHERE MARKED WITH THE EARTH SYMBOL (⊕). NOTE: BARE EARTH WIRES SHOULD BE SLEEVED WITH GREEN AND YELLOW OR GREEN SLEEVING.

 THE SUPPLY WIRE CONDUIT SHOULD JUST SLIDE THROUGH THIS HOLE.